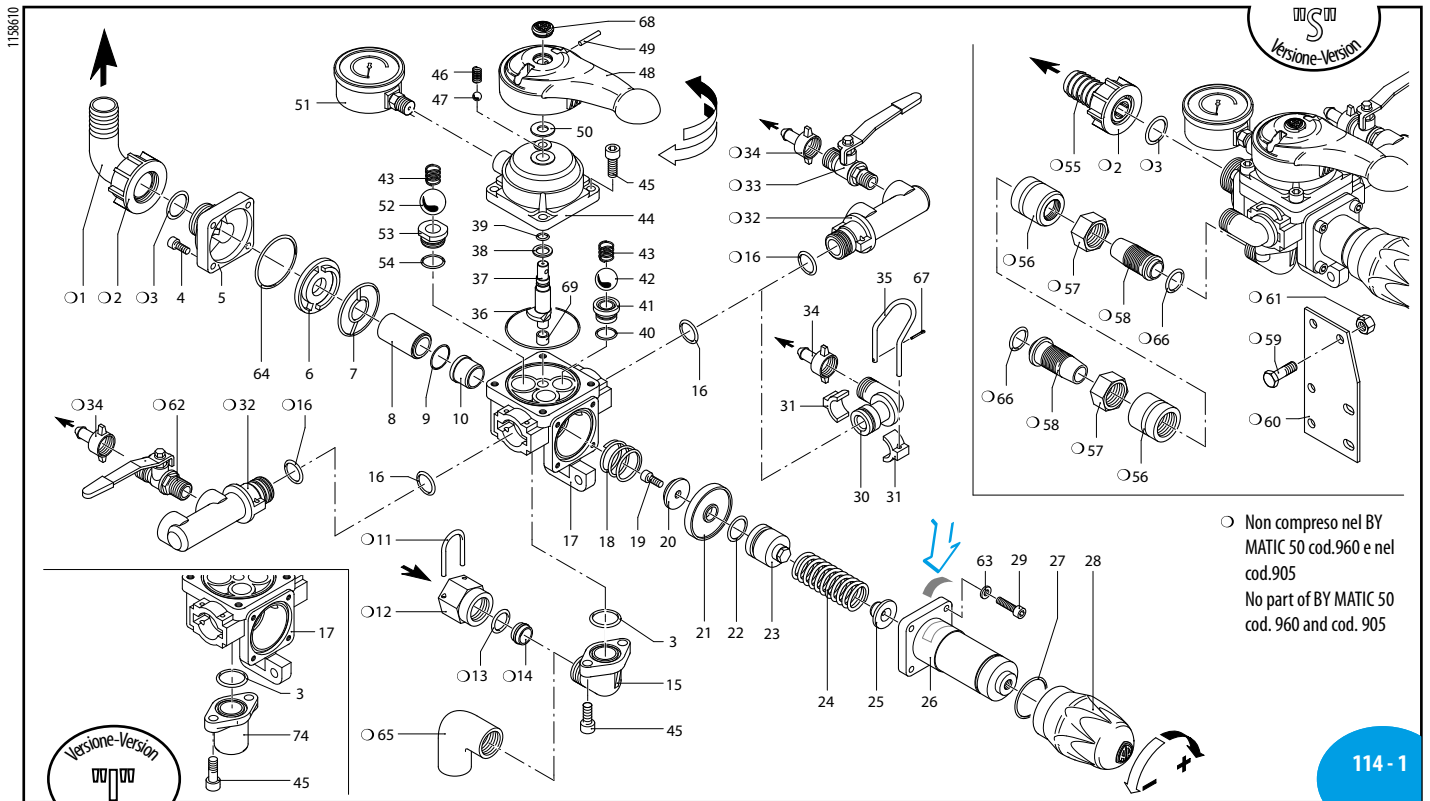


BY MATIC 50 cod. 960 (cod.905 con manometro ISOMETRICO - with Isometric Pressure Gauge)



114 - 1

SL000308-BU

Pos	Cod.	Descrizione	Description	Q.ty	Note
1	550370	Curva Ø 25	Elbow	1	
2	550242	Girello 1" G	Ring nut	1	
3	550350	Guarnizione OR Ø 23,81x2,62	O-ring	2	▶
4	780060	Vite TCEI M6x25	Screw	4	C ₁₀
5	1150031	Flangia	Flange	1	Cataforesi
6	1150021	Disco	Plate	1	
7	1150041	Guarnizione	Gasket	1	▶
8	1150050	Distanziale	Spacer	1	
9	770590	Guarnizione OR Ø 21,95x1,78	O-ring	1	▶
10	1150060	Sede	Seat	1	
11	850760	Forcella	Fork	1	
12	850750	Ghiera 3/4" GF	Ring nut	1	
13	390180	Guarnizione OR Ø 18,72x2,62	O-ring	1	▶
14	850490	Anello	Ring	1	
15	850713	Raccordo 1/2" G M	Fitting	1	
16	390060	Guarnizione OR Ø 20,63x2,62	O-ring	2	▶
17	1150012	Corpo	Body	1	
18	320420	Molla	Spring	1	✕
19	680700	Vite TCEI M6x20	Screw	1	C ₁₀ Inox
20	1150070	Valvola	Valve	1	
21	1150130	Membrana	Diaphragm	1	Desmopan ✕
22	1150131	Membrana	Diaphragm	1	NBR ✕
23	620031	Guarnizione OR Ø 25,80x3,53	O-ring	1	▶ Viton
24	1150180	Pistone	Piston	1	
25	1150190	Molla	Spring	1	✕
26	1150171	Corpo guida molla	Body	1	
27	820490	Guarnizione OR Ø 34,65x1,78	O-ring	1	▶
28	1150921	Manopola	Knob	1	Nera
29	1040370	Vite TCEI M6x22	Screw	4	C ₁₀
30	1150140	Raccordo	Fitting	2	
31	1150150	Morsetto	Clamp	4	
32	1150161	Corpo rubinetto	Body	2	
33	160142	Rubinetto 1/2" G M-M SX	Cock	2	☺
34	110130	Girello 1/2"	Ring nut	4	
35	1040690	Forcella	Fork	2	
36	1150250	Guarnizione OR Ø 65x2	O-ring	1	▶
37	1150120	Perno	Hub pin	1	✕
38	850720	Rondella	Washer	1	▶
39	390340	Guarnizione OR Ø 7,30x2,4	O-ring	1	▶
40	740290	Guarnizione OR Ø 14x1,78	O-ring	2	▶
41	850650	Sede	Seat	2	
42	850660	Sfera	Ball	2	Inox
43	850680	Molla	Spring	3	✕

Pos	Cod.	Descrizione	Description	Q.ty	Note
44	1150082	Corpo superiore distributore	Body	1	
45	320360	Vite TCEI M8x22	Screw	6	C ₂₀
46	850830	Molla	Spring	1	✕
47	621160	Sfera	Ball	1	
48	1150891	Leva	Lever	1	Nera
49	1040820	Spina	Pin	1	
50	391460	Rondella	Washer	1	
51	550545	Manometro Ø63	Pressure gauge	1	0-80bar ☺
52	1151010	Manometro Ø63 isometrico	Pressure gauge	1	0-50-80bar ☺
53	1150091	Sede	Seat	1	
54	880270	Guarnizione OR Ø 17,17x1,78	O-ring	1	▶
55	550210	Tubo Ø 25	Pipe	1	
56	850770	Ghiera	Ring nut	2	
57	850790	Girello 3/4" G	Ring nut	2	
58	850780	Portagomma Ø 19x34	Hose tail	2	
59	180370	Vite TE M8x25	Screw	2	C ₂₀
60	850690	Staffa	Bracket	1	
61	390270	Dado M8	Nut	2	C ₂₀
62	160141	Rubinetto 1/2" G M-M DX	Cock	2	☺
63	550331	Rondella	Washer	4	Z/B
64	1150280	Guarnizione OR Ø 50,52x1,78	O-ring	1	▶
65	1150690	Raccordo 3/4" GF-F	Fitting	1	
66	960160	Guarnizione OR Ø 17,86x2,62	O-ring	2	▶
67	1040950	Copiglia	Split pin	2	
68	1150930	Tappo	Plug	1	
69	1150840	Boccola	Bushing	1	
74	550394	Flangia	Flange	1	

KIT 1967 OR - O-Rings	
Pos.	Q.ty
3	2
9	1
13	3
22	1
27	1
36	1
39	1
40	2
54	1

KIT 1968 Pronto intervento - Maintenance repair			
Pos.	Q.ty	Pos.	Q.ty
3	2	22	1
7	1	23	1
9	1	24	1
10	1	27	1
16	2	36	1
18	1	38	1
19	1	39	1
20	1	64	1
21	1		

➔
Posizione targa di identificazione.
Pump and manufacturer identification.

(1301)
(01.07.10 GO)

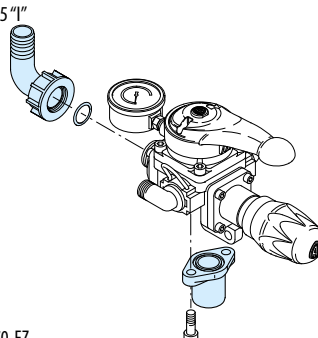
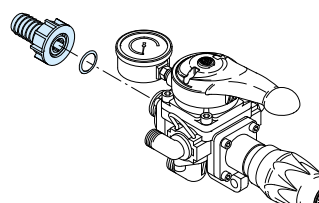
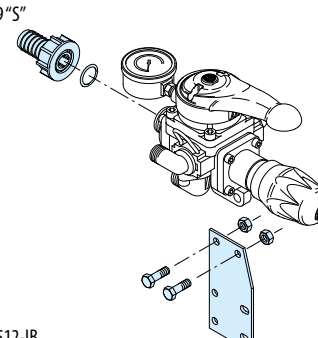
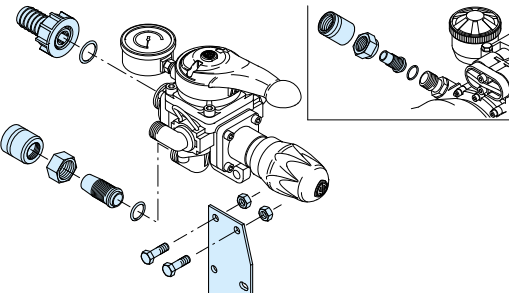
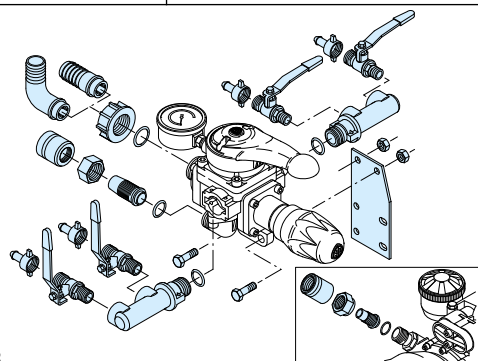
(G 024.11.11)

MI 99370

BY MATIC 50

		kit I		kit S		
		AR903-AR1053 AR1023		w/ bracket	Ø19x34	Ø19x34 + 2 vie
By Matic 50	960	895	988	999	990	987
By Matic 50 ISO	905					

Kit per/for BY MATIC 50

<p>KIT 895 "I"</p>  <p>SL000070-EZ</p>	<p>KIT 988 "S"</p>  <p>UN000511-IB</p>	<p>KIT 999 "S"</p>  <p>UN000512-IB</p>
<p>KIT 990 "S"</p>  <p>UN000513-IB</p>	<p>KIT 997 "S"</p>  <p>UN000514-IB</p>	

Comando incorporato e separato - Build-in control unit and remote control

KIT 895 "I"			
Comando incorporato Build in control			
Pos.	Q.ty	Pos.	Q.ty
1	1		
2	1		
3	1		
74	1		

Per / for AR 903 - AR 1053 - AR 1203
BHA/BHP 130 - 150 - 170 - 200
BHS 90 - 105 - 120 - 130 - 150 - 170 - 200

KIT 988 "S"			
Comando separato Remote control			
Pos.	Q.ty	Pos.	Q.ty
2	1		
3	1		
55	1		

Per / for AR 713 - AR 813 - AR 1064 - AR 1604
AR 903 - AR 1053 - AR 1203
BHA/BHP 130 - 150 - 170 - 200

KIT 999 "S"			
Comando separato Remote control			
Pos.	Q.ty	Pos.	Q.ty
2	1		
3	1		
55	1		
59	2		
60	1		
61	2		

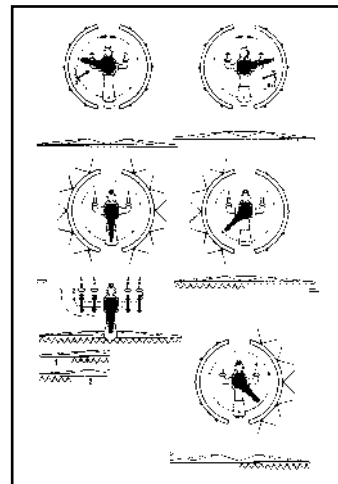
Per / for AR 713 - AR 813 - AR 1064 - AR 1604
AR 903 - AR 1053 - AR 1203
BHS/BHA/BHP 130 - 150 - 170 - 200

KIT 990 "S"			
Comando separato Remote control			
Pos.	Q.ty	Pos.	Q.ty
2	1	59	2
3	1	60	1
55	1	61	2
56	2	66	2
57	2		
58	2		

Per / for AR 713 - AR 813 - AR 1064 - AR 1604
AR 903 - AR 1053 - AR 1203
BHS/BHA/BHP 130 - 150 - 170 - 200

KIT 997 "S"			
Comando separato Remote control			
Pos.	Q.ty	Pos.	Q.ty
1	1	57	2
2	1	58	2
3	1	59	2
16	2	60	1
32	2	61	2
33	2	62	2
34	4	66	2
55	1		
56	2		

Per / for AR 713 - AR 813 - AR 1064 - AR 1604
AR 903 - AR 1053 - AR 1203
BHS/BHA/BHP 130 - 150 - 170 - 200



Gruppi comando
Control units